

Alarm

TONIKA-24V-2S

NPP SENSOR Datasheet AH 17.02



Application

Designed for production of light, sound and combined warning and alarm signals in order to attract attention of personnel in emergency and other situations, as well as for indication of equipment operation mode.

Explosion hazardous areas of rooms and external installations at sites of energy, chemical and mechanical engineering industries.

Can be installed on open sites in conditions of precipitation and solar radiation exposure.

Features

- Vandal-proof enclosure made of aluminum alloy.
- Built-in intrinsic safety unit.
- Power circuit integrity check.
- Low power consumption.
- Double-colored high-brightness LED emitter with a circular overview.
- Sound signal loudness is more than 110 dB.
- Independent management for each light emitter and sound.
- Programming of individual signalling modes for seven different situations.
- 20 variants of light signals for each light emitter.
- 49 variants of sound signals and two levels of loudness.
- A large selection of cable shield mounting devices.
- Ambient operational temperature range is from minus 50 to plus 60 °C.



Description

Alarms are used to produce warning and alarming signals. The connection is made through the cable entries in the bottom part of the instrument using a round cable of 5 to 18 mm diameter. The enclosure houses the boards with power clamp terminals and a unit containing 12 micro-switches to set the operational modes of the alarm.

The alarms have two operational modes in which the activated signalling is:

1. set by micro-switches unit;
2. programmed in advance (7 modes) and is determined by the set of clamp terminals, that may be powered or not powered.

For optimal selection of the alarm kit (glowing color, horn design, quantity and cable entries kit) we suggest to use technical advice on application.

Certification

Ex-EAC	CU RU C-RU.AB24.B.05268
ISO 9001-2015	RU228579Q-U

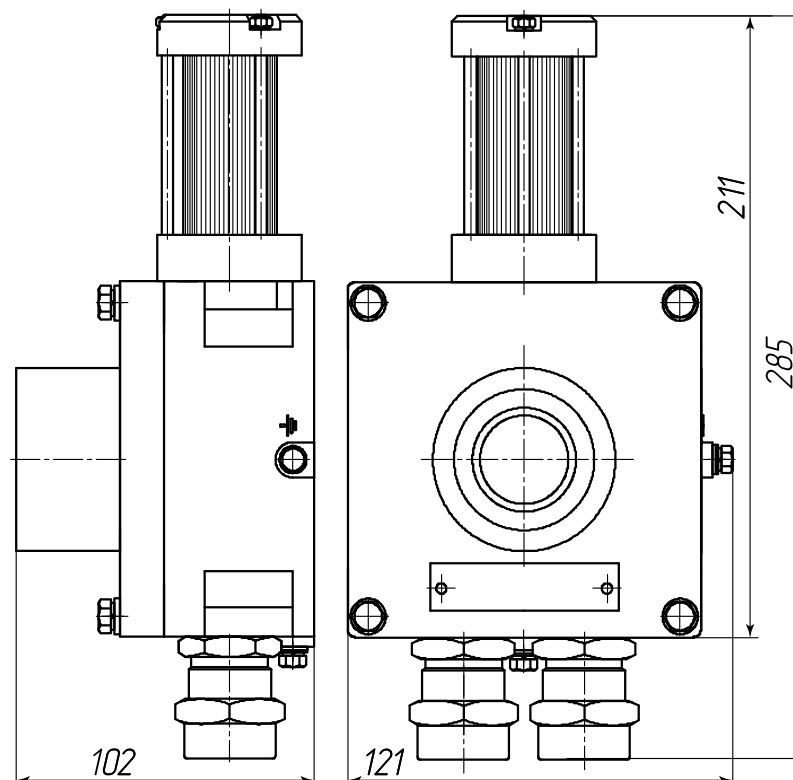
Main specifications

Nominal voltage, V	24 (DC)
The acceptable range of the power supply voltages, V	from 18 to 36
Consumed current ¹⁾ , mA, not more than	250
Power consumption, W, not more than	6
Luminous intensity ¹⁾ , μcd , not more than	1000
LED emitters glow color	red, yellow, green, blue
Viewing angle in horizontal plane, degrees	~ 360
Viewing angle in vertical plane, degrees	~ 100
Loudness, dBA/m	from 88 to 110 ²⁾
Frequency range for sound signalling, Hz	from 300 to 3000
Ambient temperature, °C	from -50 to +60
Climatic design under GOST 15150	UHL1
Ingress Protection Rating in accordance with GOST 14254	IP66
Marking of explosion protection	1ExdIBT5
Overall dimensions H x D x W, mm, not more than	255 x 144 x 132
Mass, kg, not more than	3,4
Diameter of connectable cable, mm	from 5 to 18
Full service life, years	10

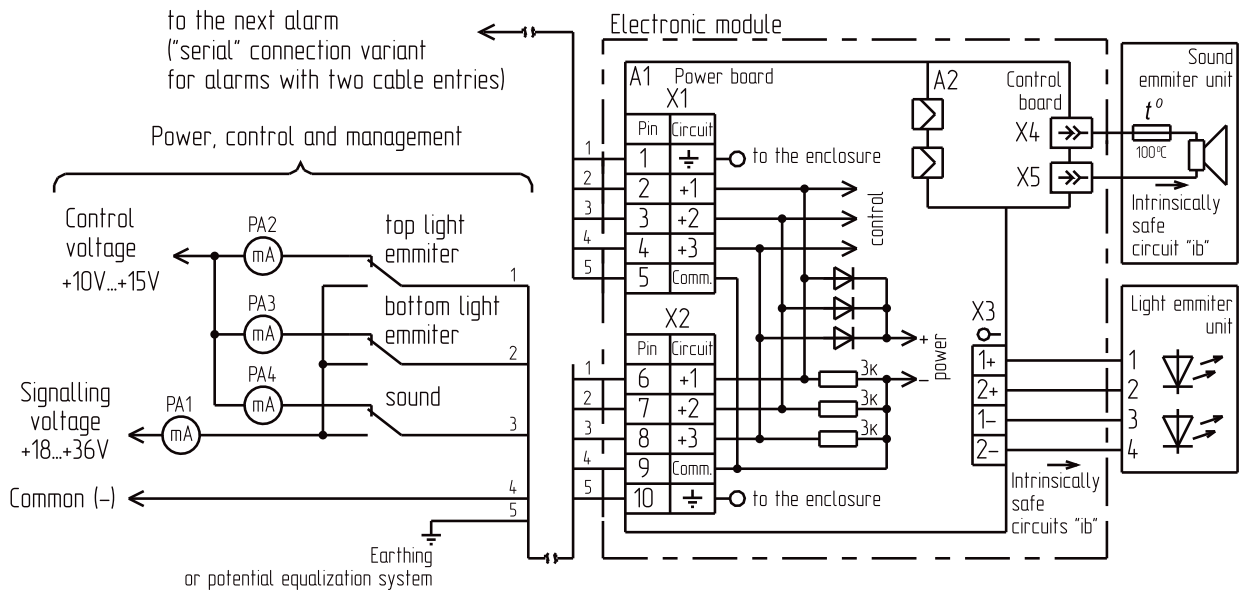
Notes.

1. For nominal power supply voltage.
2. Determined by the design of the sound emitter horn, signal type and sound mode (quiet / loud)

General view, overall dimensions

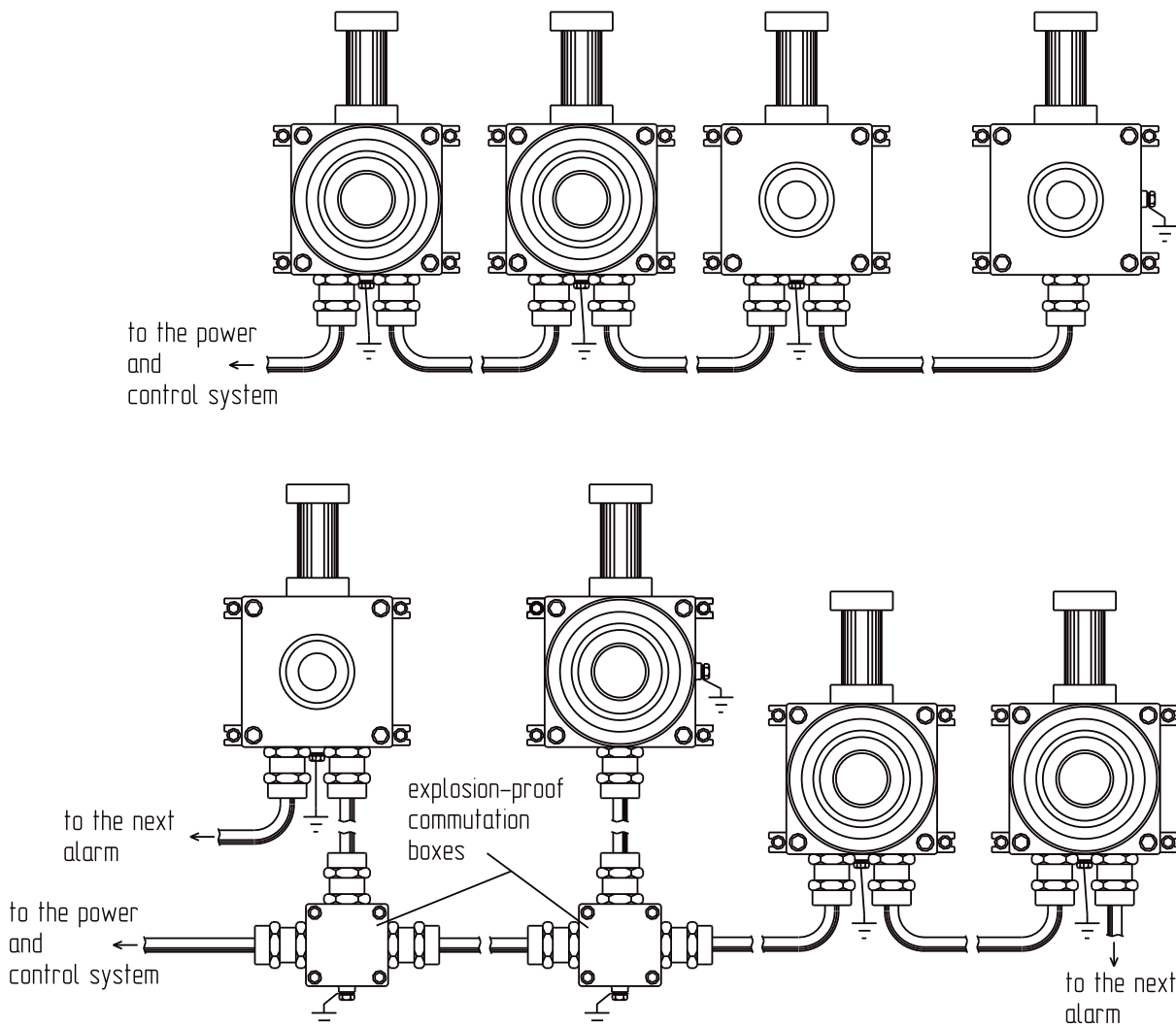


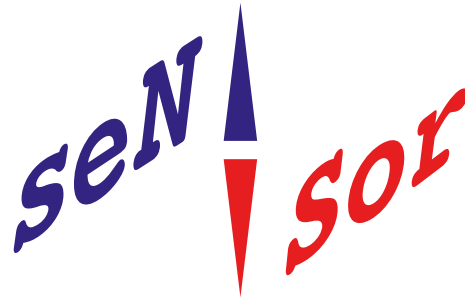
Connection diagram



- Notes.
1. connection variant for the alarm with control circuits integrity check system is shown on diagram, milliamperes PA2...PA4 are used to indicate the output current.
 2. milliamperes meter PA1 is activated only if consumption current control is required.

Connection variants





CONTACT INFORMATION

NPP SENSOR LLC

P.O. Box 737, building 5, Promishlennaya street, Zarechny, Penza Region, 442965, Russia

Phone / Fax: +7 (8412) 65-21-00

Sales: +7 (8412) 65-21-21, op@nppsensorm.ru

Customer care: info@nppsensorm.ru

en.nppsensorm.ru